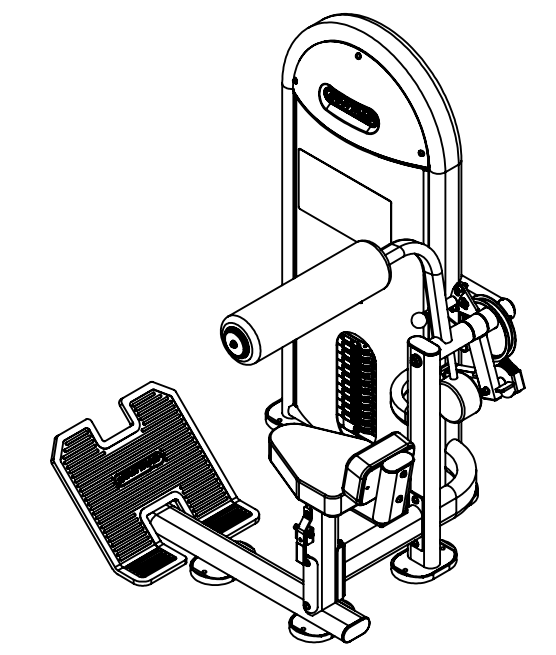
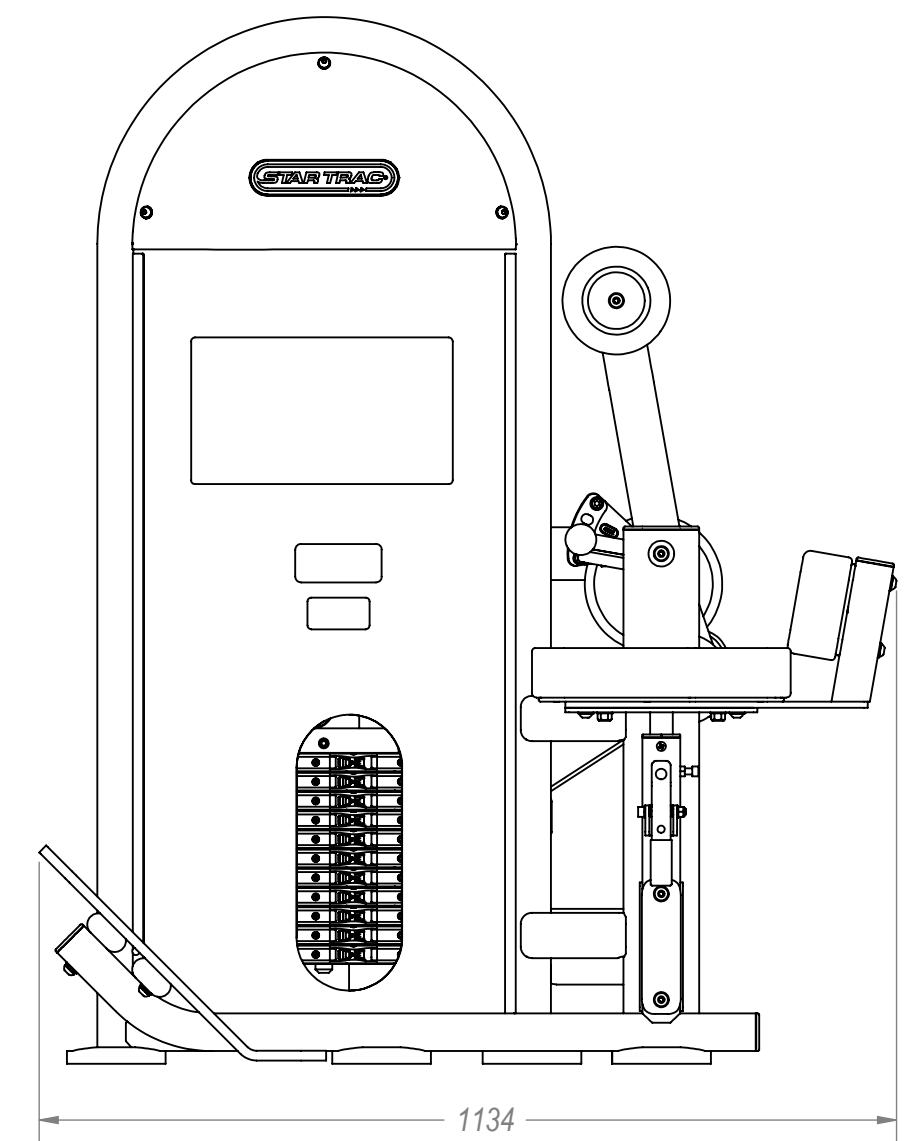
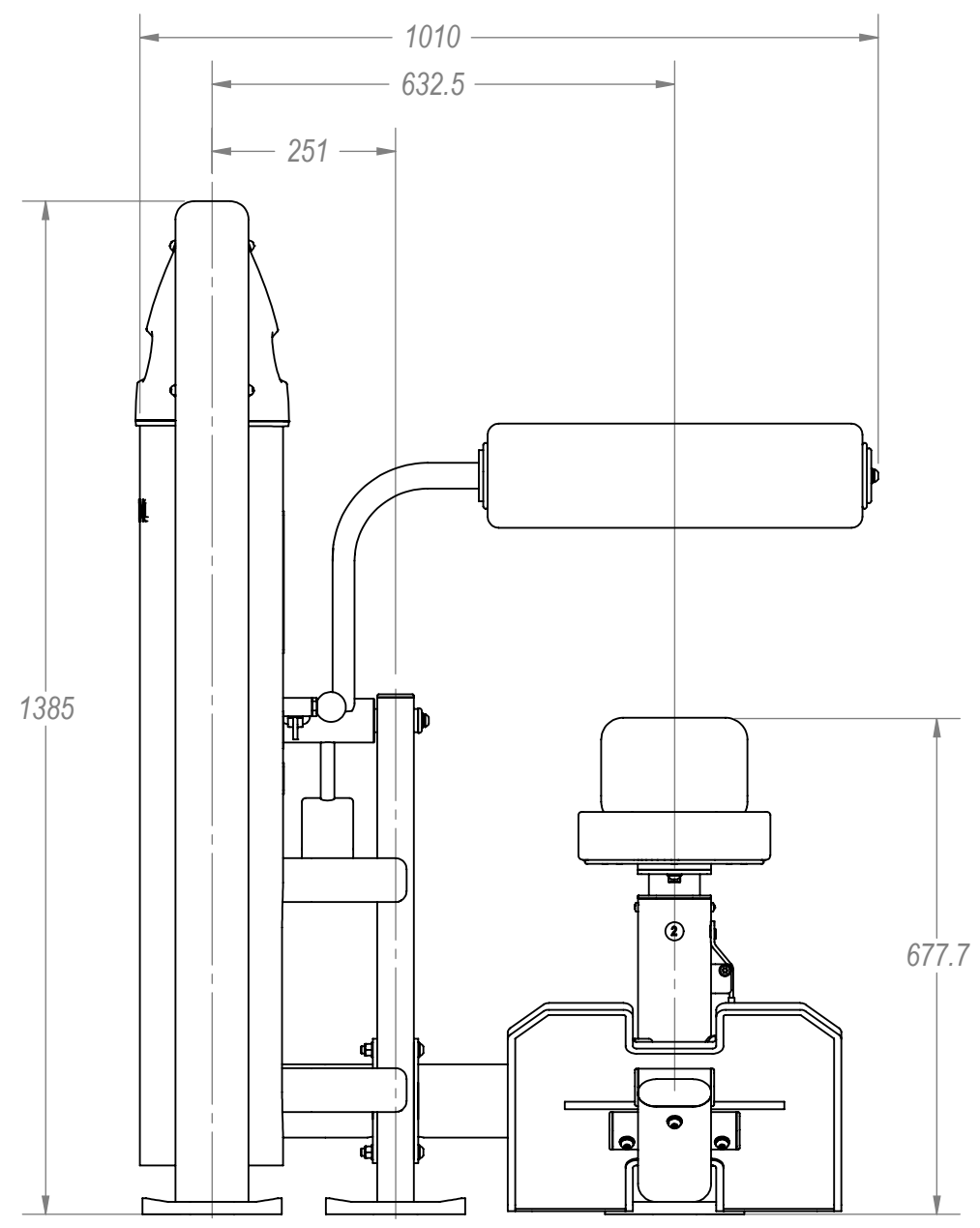


| REVISION HISTORY | | | | |
|------------------|----------|---|-------|----|
| REV | DATE | DESCRIPTION | ECO | BY |
| A | 06-25-08 | PRODUCTION RELEASE | 11956 | AK |
| B | 06-23-10 | BELT CHANGE WITH CABLE, UPDATE 3D MODEL | 13343 | TZ |



NOTICE OF PROPRIETARY INFORMATION
 THIS DOCUMENT SHALL NOT BE REPRODUCED NOR SHALL THE INFORMATION CONTAINED HEREIN BE USED BY OR DISCLOSED TO OTHER EXCEPT AS EXPRESSLY AUTHORIZED BY UNISEN INC, D.B.A. STAR TRAC.

DOCUMENT STATUS:

| CLASS OF WORK | UNLESS OTHERWISE SPECIFIED DIMS ARE IN mm. TOLERANCES FOR MEASURE OF LENGTH ARE: | | | | | | | ANGLES = ±2° |
|---------------|--|----------|-----------|-------------|--------------|---------------|----------------|--------------|
| | 0.5 to 3 | > 3 to 6 | > 6 to 30 | > 30 to 120 | > 120 to 400 | > 400 to 1000 | > 1000 to 2000 | |
| FINE | ±0.05 | ±0.05 | ±0.1 | ±0.15 | ±0.2 | ±0.3 | ±0.5 | ---- |
| MEDIUM X | ±0.1 | ±0.1 | ±0.2 | ±0.3 | ±0.5 | ±0.8 | ±1.2 | ±2 |
| COARSE | ±0.2 | ±0.3 | ±0.5 | ±0.8 | ±1.2 | ±2 | ±3 | ±4 |
| VERY COARSE | ---- | ±0.5 | ±1 | ±1.5 | ±2.5 | ±4 | ±6 | ±8 |

MATERIAL
SEE BOM

FINISH
FRAME COLOR: STAR TRAC SILVER (HP FULLER) UPHOLSTERY COLOR: STAR TRAC GREY (SLATE)

VENDOR: **IMPULSE** P/N: IL-D6330C

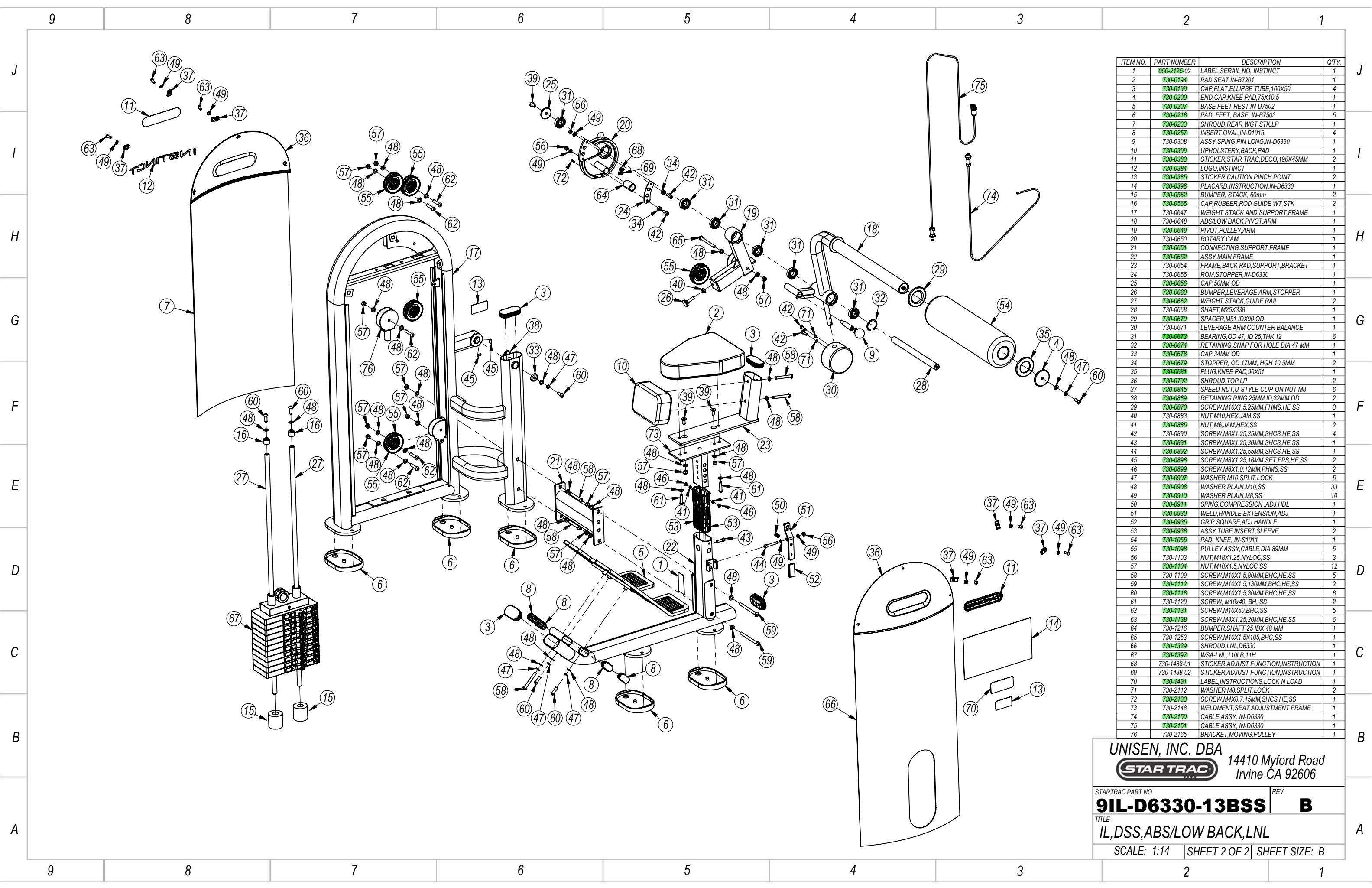
| THIRD ANGLE PROJECTION | | |
|------------------------|---------|------|
| DRAWN | INITIAL | DATE |
| CHECKED | | |
| APPROVED | | |
| | U.O.M. | MM |

UNISEN, INC. DBA **STAR TRAC** 14410 Myford Road Irvine CA 92606


STARTRAC PART NO **9IL-D6330-13BSS** REV **B**

TITLE **IL,DSS,ABS/LOW BACK,LNL**

SCALE: 1:10 | SHEET 1 OF 2 | SHEET SIZE: B



| ITEM NO. | PART NUMBER | DESCRIPTION | QTY. |
|----------|-------------|-------------------------------------|------|
| 1 | 050-2125-02 | LABEL,SERIAL NO,INSTINCT | 1 |
| 2 | 730-0194 | PAD,SEAT,IN-B7201 | 1 |
| 3 | 730-0199 | CAP,FLAT,ELLIPSE TUBE,100X50 | 4 |
| 4 | 730-0200 | END CAP,KNEE PAD,75X10.5 | 1 |
| 5 | 730-0207 | BASE,FEET REST,IN-D7502 | 1 |
| 6 | 730-0216 | PAD,FEET,BASE,IN-B7503 | 5 |
| 7 | 730-0233 | SHROUD,REAR,WGT STK,LP | 1 |
| 8 | 730-0257 | INSERT,OVAL,IN-D1015 | 4 |
| 9 | 730-0308 | ASSY,SPING PIN LONG,IN-D6330 | 1 |
| 10 | 730-0309 | UPHOLSTERY,BACK,PAD | 1 |
| 11 | 730-0383 | STICKER,STAR TRAC,DECO,196X45MM | 2 |
| 12 | 730-0384 | LOGO,INSTINCT | 1 |
| 13 | 730-0385 | STICKER,CAUTION,PINCH POINT | 2 |
| 14 | 730-0398 | PLACARD,INSTRUCTION,IN-D6330 | 1 |
| 15 | 730-0562 | BUMPER,STACK,60mm | 2 |
| 16 | 730-0565 | CAP,RUBBER,ROD GUIDE WT STK | 2 |
| 17 | 730-0647 | WEIGHT STACK AND SUPPORT,FRAME | 1 |
| 18 | 730-0648 | ABS/LOW BACK,PIVOT,ARM | 1 |
| 19 | 730-0649 | PIVOT,PULLEY,ARM | 1 |
| 20 | 730-0650 | ROTARY CAM | 1 |
| 21 | 730-0651 | CONNECTING,SUPPORT,FRAME | 1 |
| 22 | 730-0652 | ASSY,MAIN FRAME | 1 |
| 23 | 730-0654 | FRAME,BACK PAD,SUPPORT,BRACKET | 1 |
| 24 | 730-0655 | ROM,STOPPER,IN-D6330 | 1 |
| 25 | 730-0656 | CAP,50MM OD | 1 |
| 26 | 730-0660 | BUMPER,LEVERAGE ARM,STOPPER | 1 |
| 27 | 730-0662 | WEIGHT STACK,GUIDE RAIL | 2 |
| 28 | 730-0668 | SHAFT,M25X338 | 1 |
| 29 | 730-0670 | SPACER,M51 IDX90 OD | 1 |
| 30 | 730-0671 | LEVERAGE ARM,COUNTER BALANCE | 1 |
| 31 | 730-0673 | BEARING,OD 47, ID 25,THK 12 | 6 |
| 32 | 730-0674 | RETAINING,SNAP,FOR HOLE DIA 47 MM | 1 |
| 33 | 730-0678 | CAP,34MM OD | 1 |
| 34 | 730-0679 | STOPPER,OD 17MM, HGH 10.5MM | 2 |
| 35 | 730-0681 | PLUG,KNEE PAD,90X51 | 1 |
| 36 | 730-0702 | SHROUD,TOP,LP | 2 |
| 37 | 730-0845 | SPEED NUT,U-STYLE CLIP-ON NUT,M8 | 6 |
| 38 | 730-0869 | RETAINING RING,25MM ID,32MM OD | 2 |
| 39 | 730-0870 | SCREW,M10X1.5,25MM,FHMS,HE,SS | 3 |
| 40 | 730-0883 | NUT,M10,HEX,JAM,SS | 1 |
| 41 | 730-0885 | NUT,M6,HEX,JAM,SS | 2 |
| 42 | 730-0890 | SCREW,M8X1.25,25MM,SHCS,HE,SS | 4 |
| 43 | 730-0891 | SCREW,M8X1.25,30MM,SHCS,HE,SS | 1 |
| 44 | 730-0892 | SCREW,M8X1.25,55MM,SHCS,HE,SS | 1 |
| 45 | 730-0896 | SCREW,M8X1.25,16MM,SET,EPS,HE,SS | 2 |
| 46 | 730-0899 | SCREW,M6X1.0,12MM,PHMS,SS | 2 |
| 47 | 730-0907 | WASHER,M10,SPLIT,LOCK | 5 |
| 48 | 730-0908 | WASHER,PLAIN,M10,SS | 33 |
| 49 | 730-0910 | WASHER,PLAIN,M8,SS | 10 |
| 50 | 730-0911 | SPING,COMPRESSION,ADJ,HDL | 1 |
| 51 | 730-0930 | WELD,HANDLE,EXTENSION,ADJ | 1 |
| 52 | 730-0935 | GRIP,SQUARE,ADJ HANDLE | 1 |
| 53 | 730-0936 | ASSY,TUBE,INSERT,SLEEVE | 2 |
| 54 | 730-1055 | PAD,KNEE,IN-S1011 | 1 |
| 55 | 730-1098 | PULLEY ASSY,CABLE,DIA 89MM | 5 |
| 56 | 730-1103 | NUT,M18X1.25,NYLOC,SS | 3 |
| 57 | 730-1104 | NUT,M10X1.5,NYLOC,SS | 12 |
| 58 | 730-1109 | SCREW,M10X1.5,80MM,BHC,HE,SS | 5 |
| 59 | 730-1112 | SCREW,M10X1.5,130MM,BHC,HE,SS | 2 |
| 60 | 730-1118 | SCREW,M10X1.5,30MM,BHC,HE,SS | 6 |
| 61 | 730-1120 | SCREW,M10X40,BH,SS | 2 |
| 62 | 730-1131 | SCREW,M10X50,BHC,SS | 5 |
| 63 | 730-1138 | SCREW,M8X1.25,20MM,BHC,HE,SS | 6 |
| 64 | 730-1216 | BUMPER,SHAFT 25 IDX 48 MM | 1 |
| 65 | 730-1253 | SCREW,M10X1.5X105,BHC,SS | 1 |
| 66 | 730-1329 | SHROUD,LNL,D6330 | 1 |
| 67 | 730-1397 | WSA-LNL,110LB,11H | 1 |
| 68 | 730-1488-01 | STICKER,ADJUST FUNCTION,INSTRUCTION | 1 |
| 69 | 730-1488-02 | STICKER,ADJUST FUNCTION,INSTRUCTION | 1 |
| 70 | 730-1491 | LABEL,INSTRUCTIONS,LOCK N LOAD | 1 |
| 71 | 730-2112 | WASHER,M8,SPLIT,LOCK | 2 |
| 72 | 730-2133 | SCREW,M4X0.7,15MM,SHCS,HE,SS | 1 |
| 73 | 730-2148 | WELDMENT,SEAT,ADJUSTMENT FRAME | 1 |
| 74 | 730-2150 | CABLE ASSY,IN-D6330 | 1 |
| 75 | 730-2151 | CABLE ASSY,IN-D6330 | 1 |
| 76 | 730-2165 | BRACKET,MOVING,PULLEY | 1 |

UNISEN, INC. DBA
 14410 Myford Road
 Irvine CA 92606

STARTRAC PART NO **9IL-D6330-13BSS** REV **B**

TITLE **IL,DSS,ABS/LOW BACK,LNL**

SCALE: 1:14 | SHEET 2 OF 2 | SHEET SIZE: B